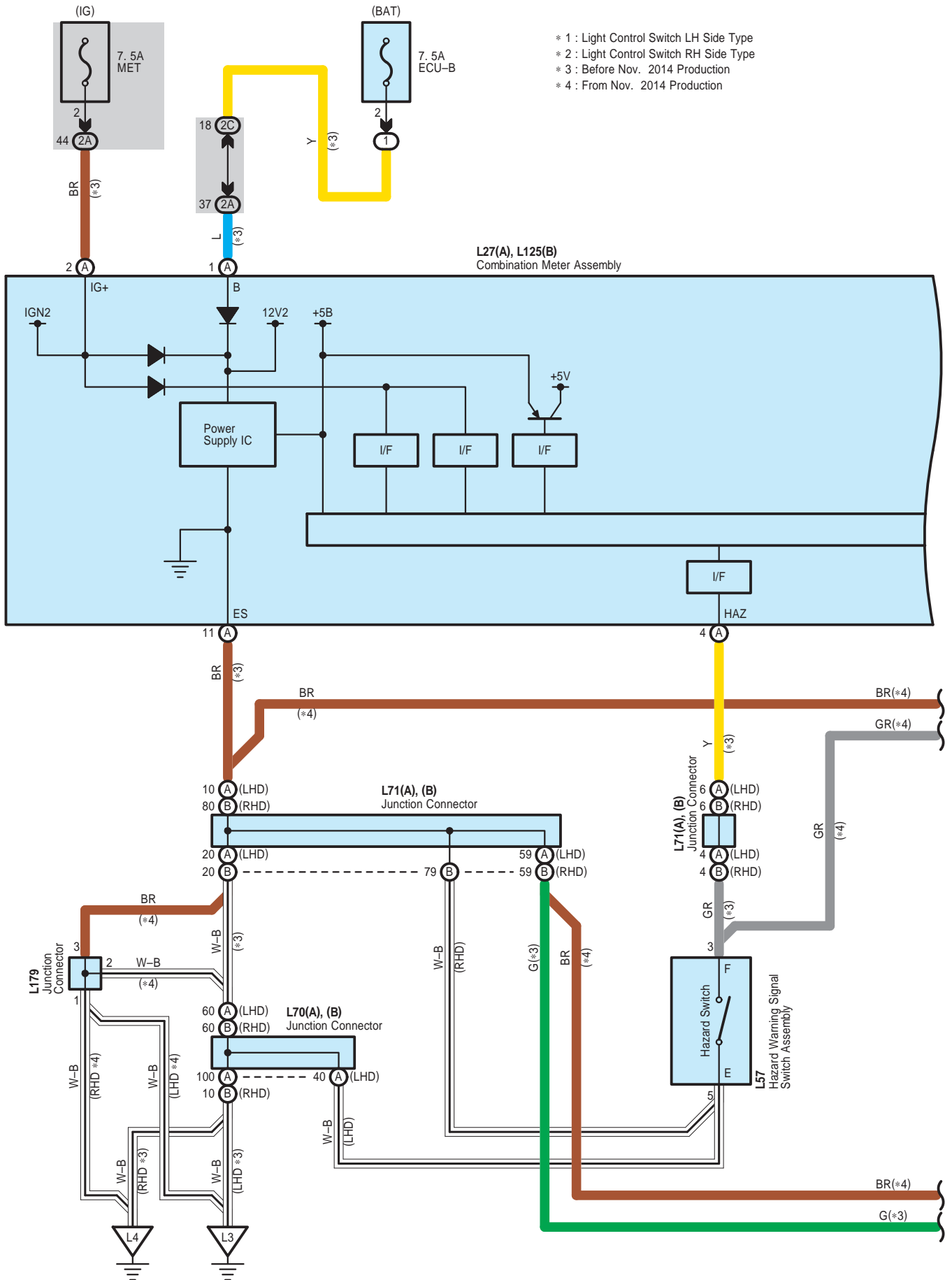
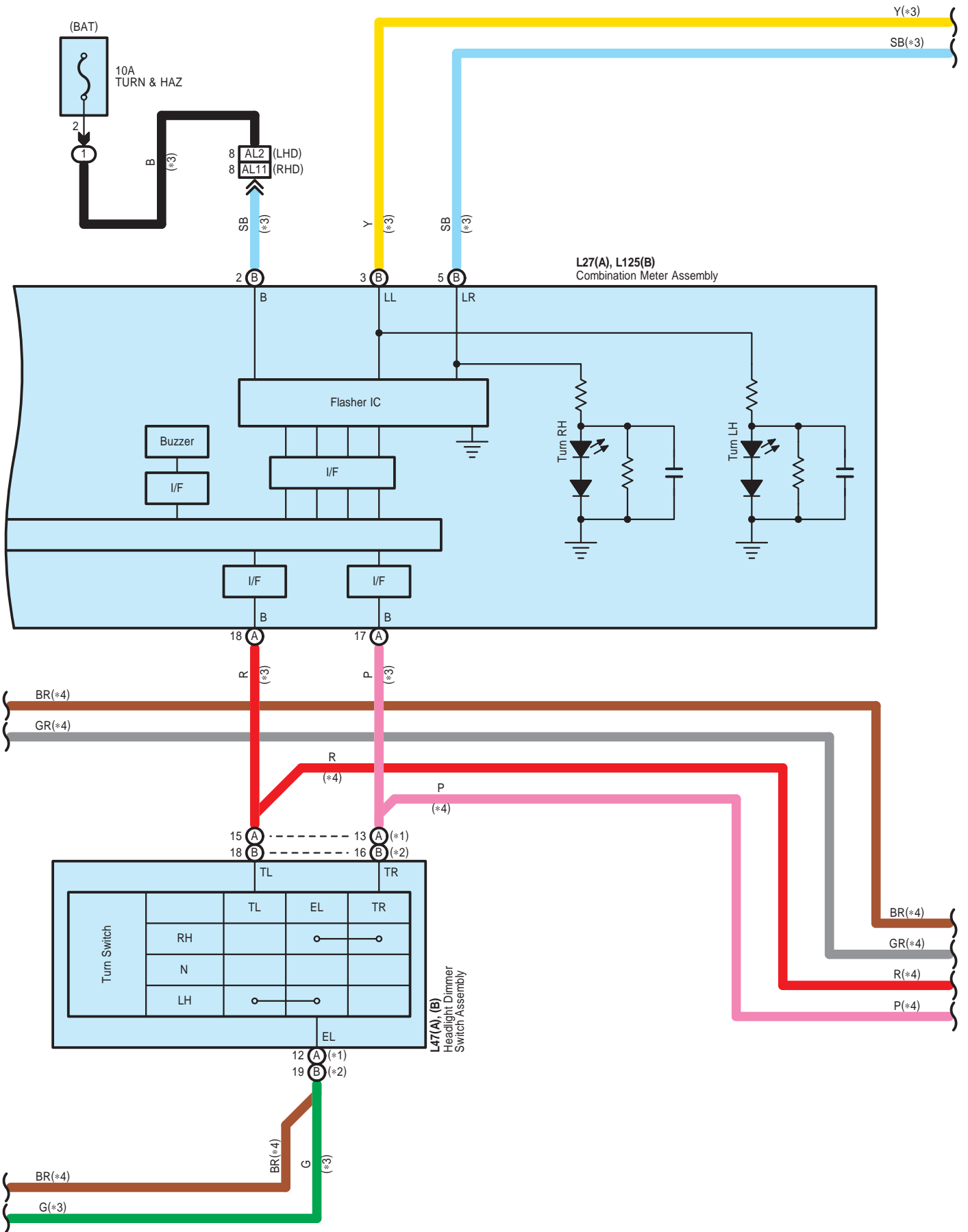


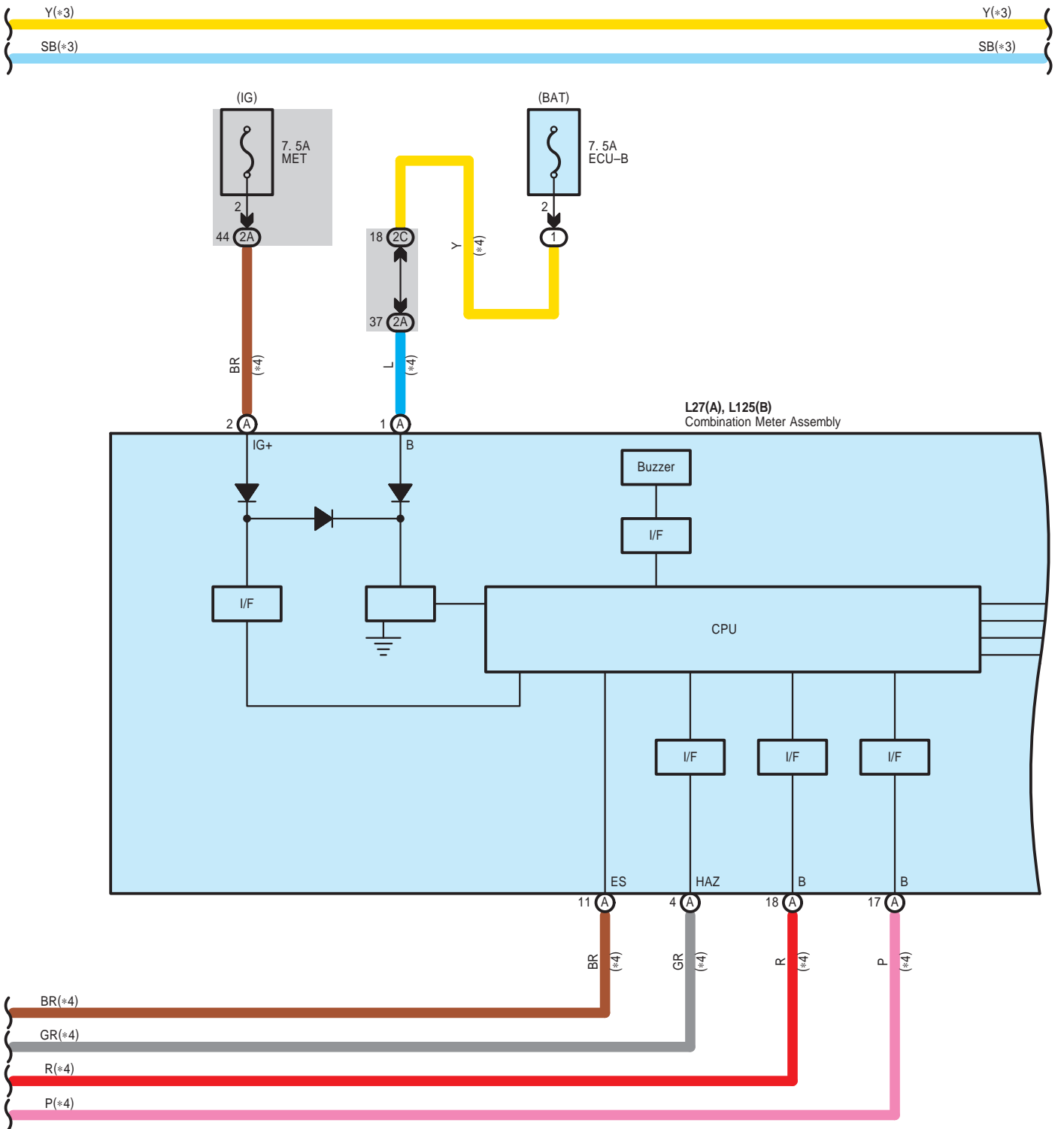
Turn Signal and Hazard Warning Light



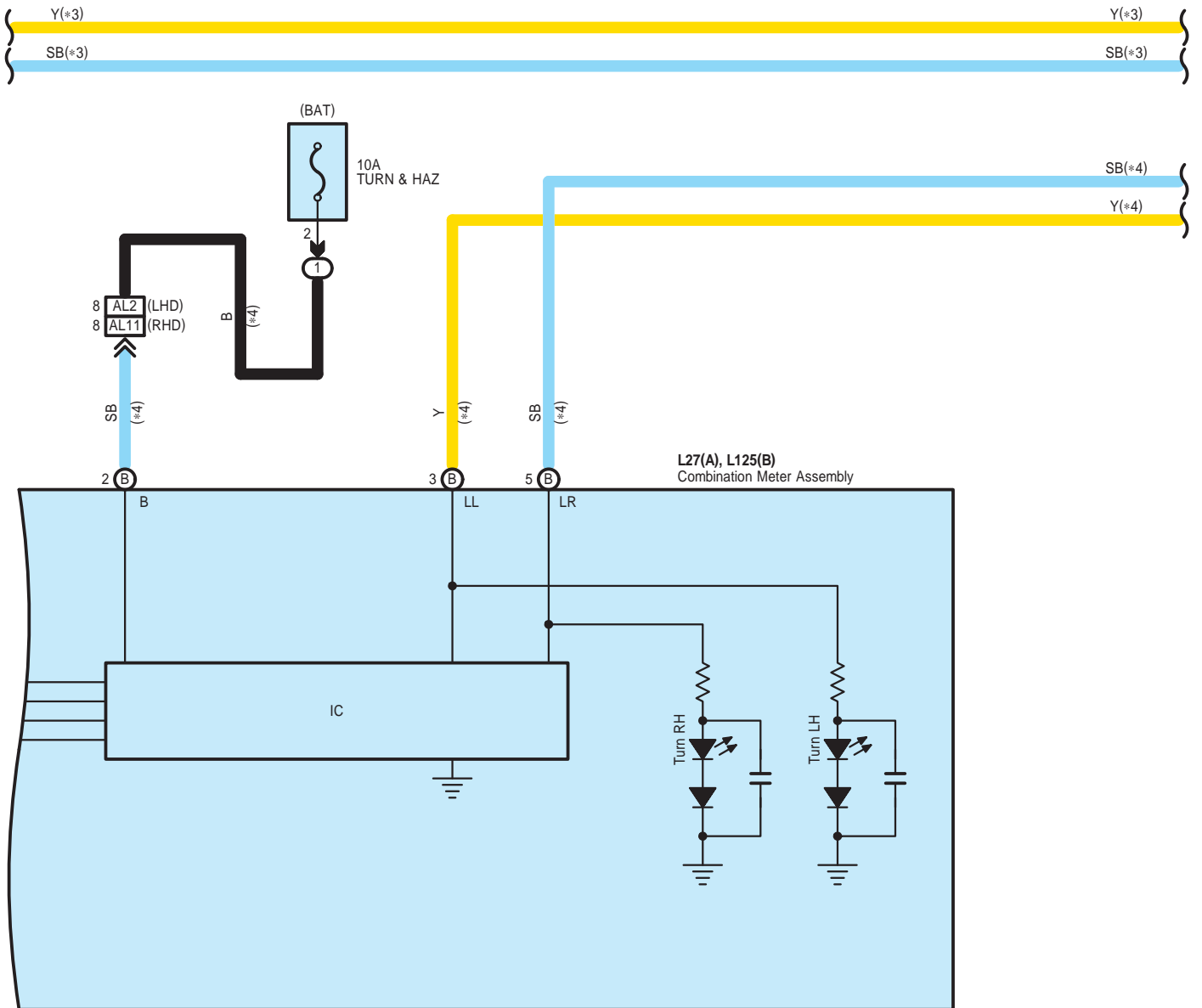
Turn Signal and Hazard Warning Light



Turn Signal and Hazard Warning Light

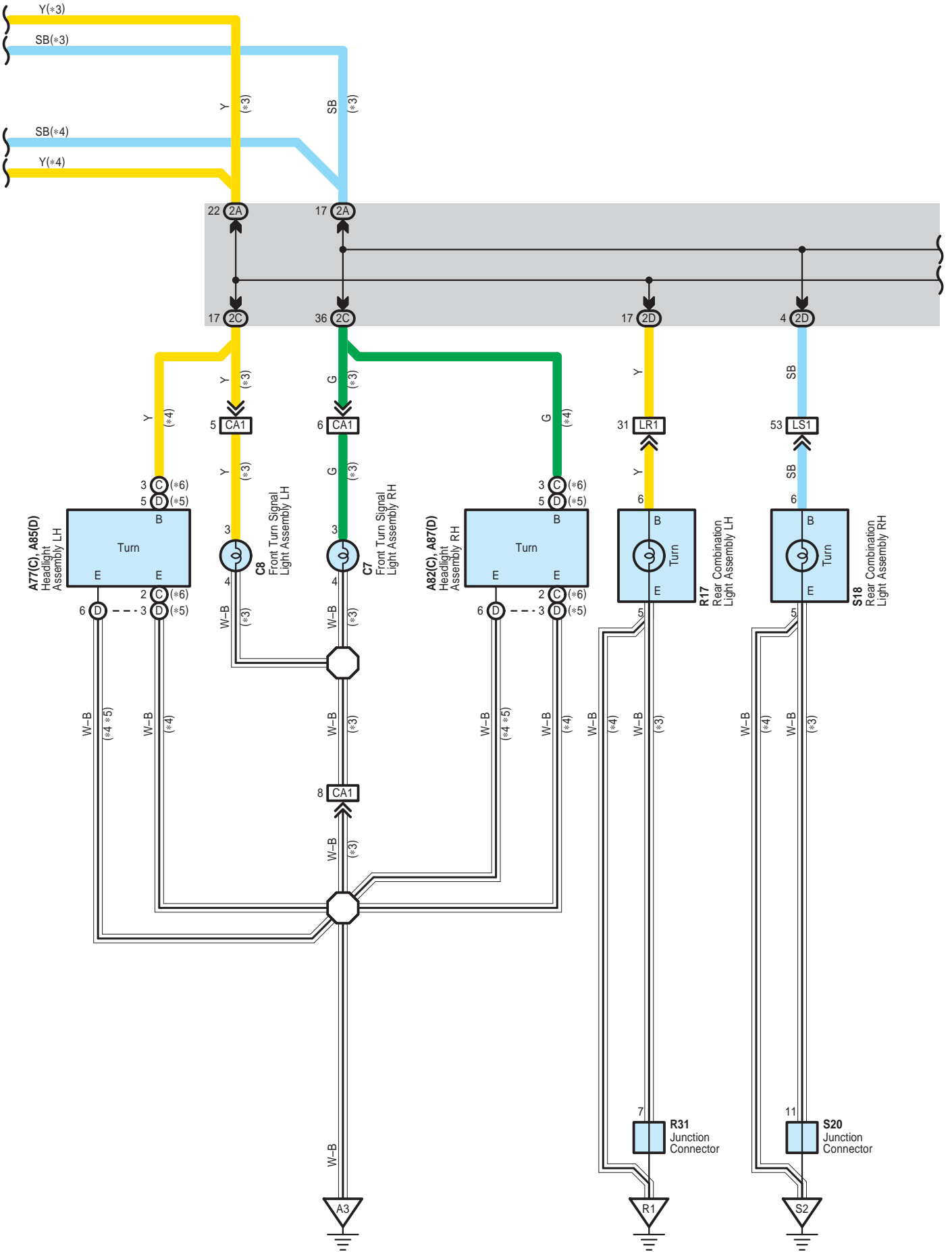


Turn Signal and Hazard Warning Light

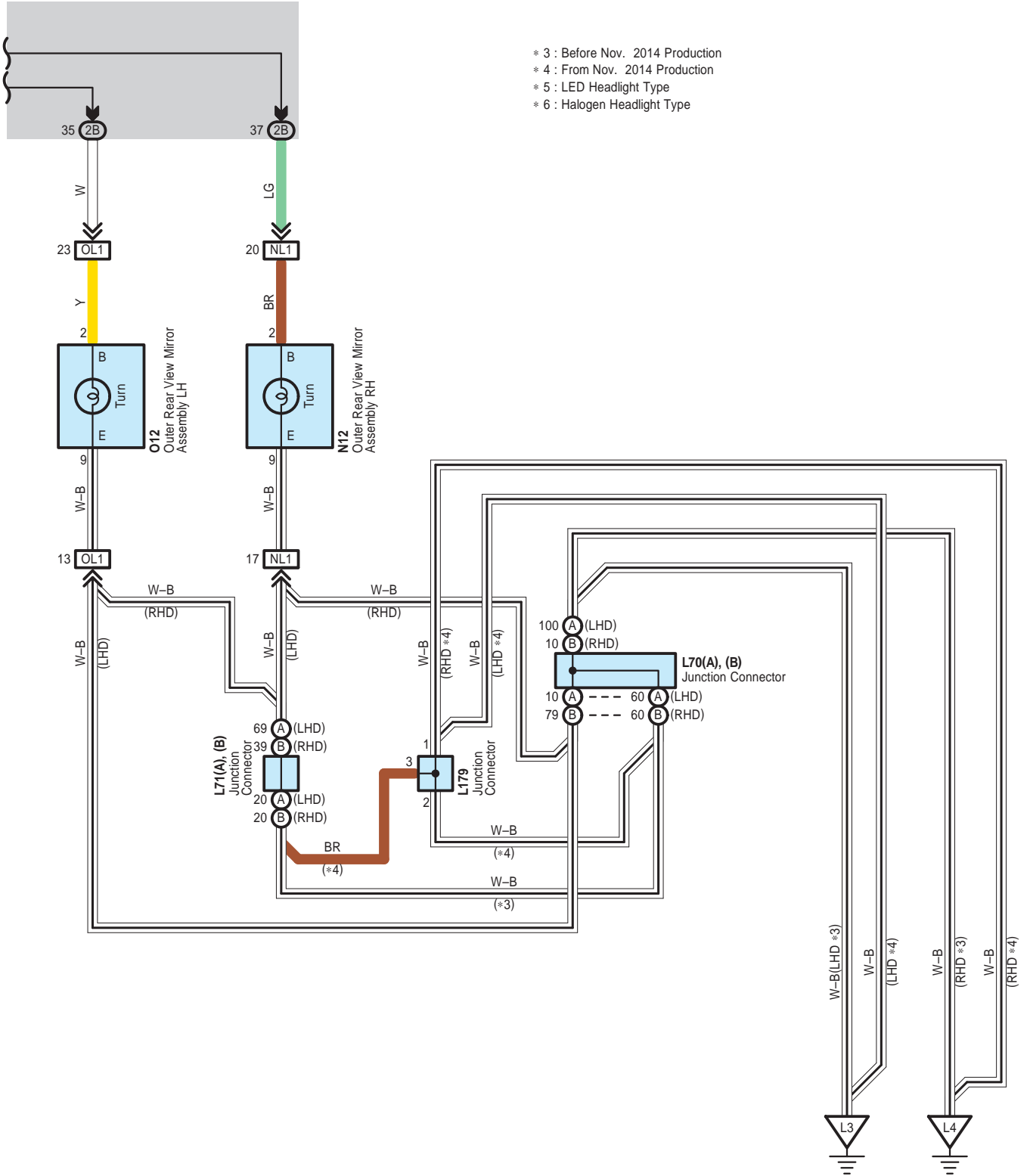


* 3 : Before Nov. 2014 Production
 * 4 : From Nov. 2014 Production

Turn Signal and Hazard Warning Light



Turn Signal and Hazard Warning Light



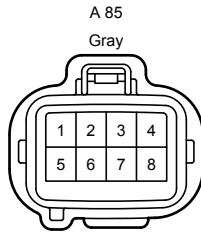
Turn Signal and Hazard Warning Light



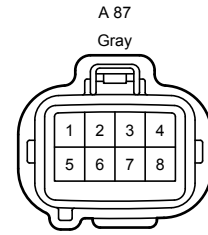
(Clearance and Turn)



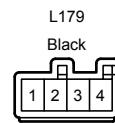
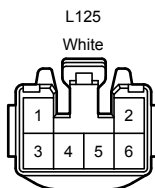
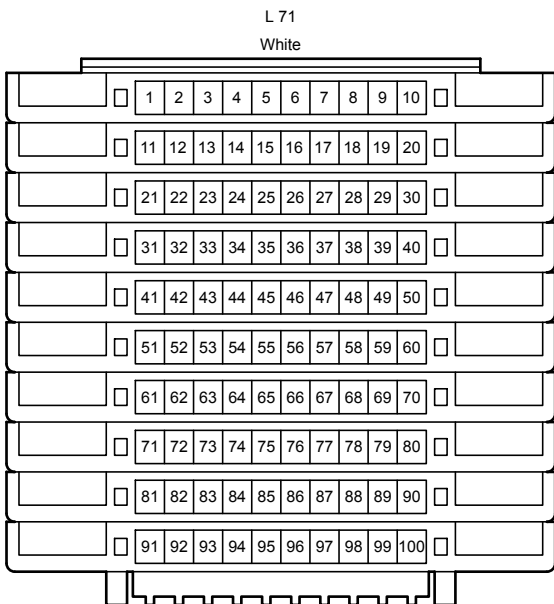
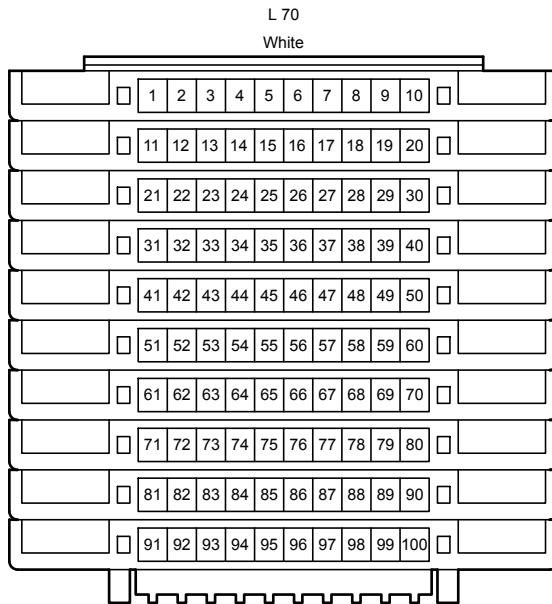
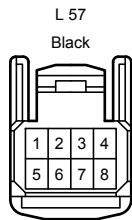
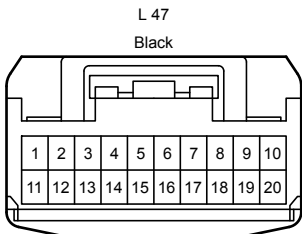
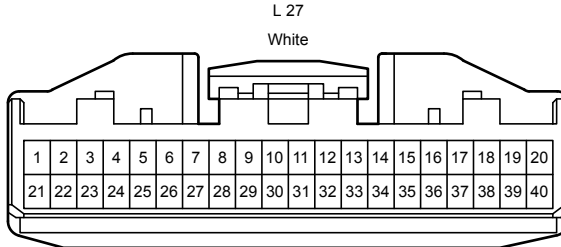
(Clearance and Turn)



(Clearance and Headlight Leveling Motor)

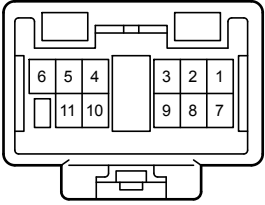


(Clearance and Headlight Leveling Motor)

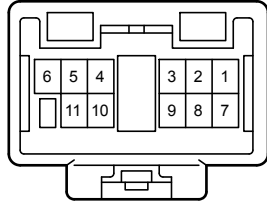


Turn Signal and Hazard Warning Light

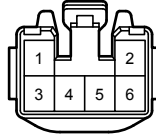
N 12
White



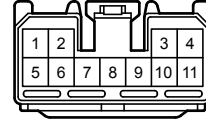
O 12
White



R 17
White



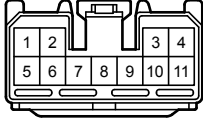
R 31
White



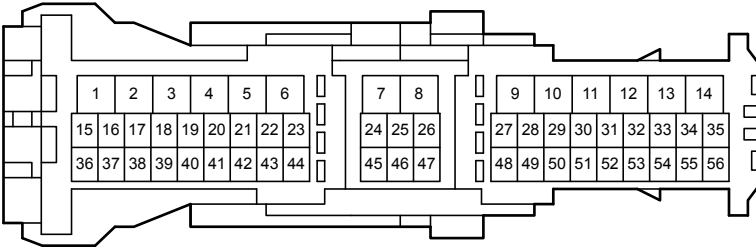
S 18
White



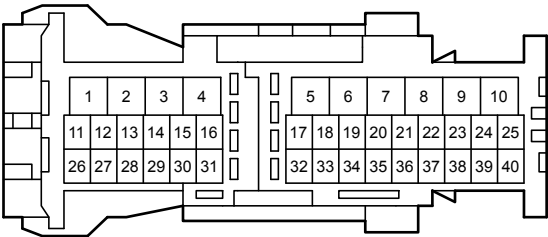
S 20
White



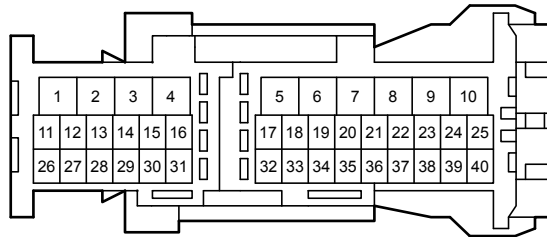
2A
White



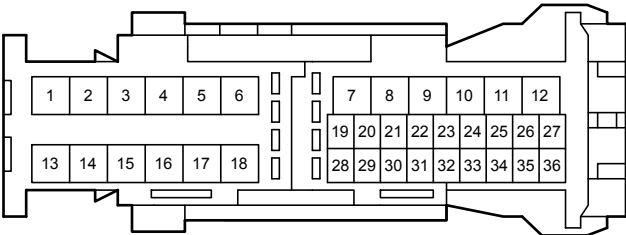
2B
White



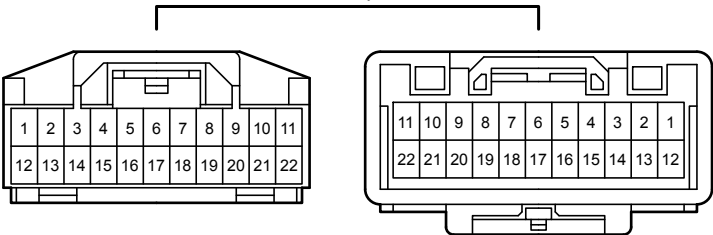
2C
White



2D
White

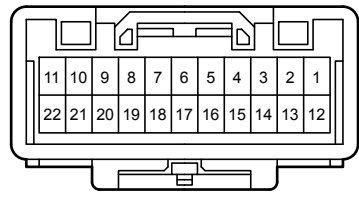
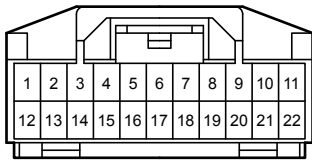


AL2
Gray

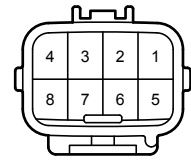
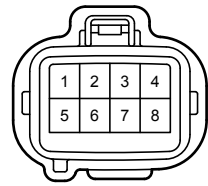


Turn Signal and Hazard Warning Light

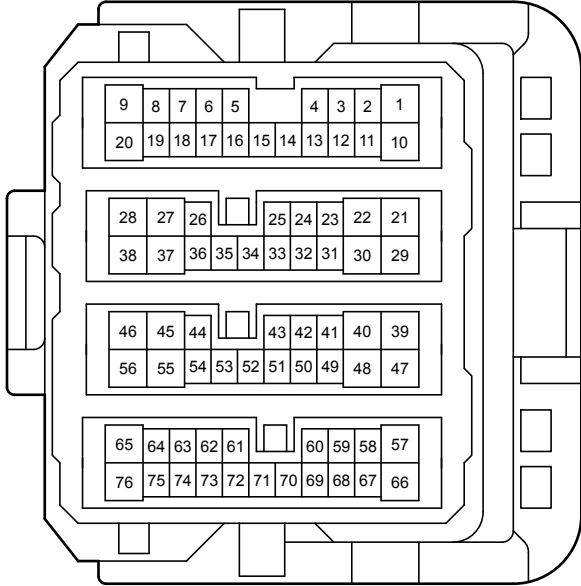
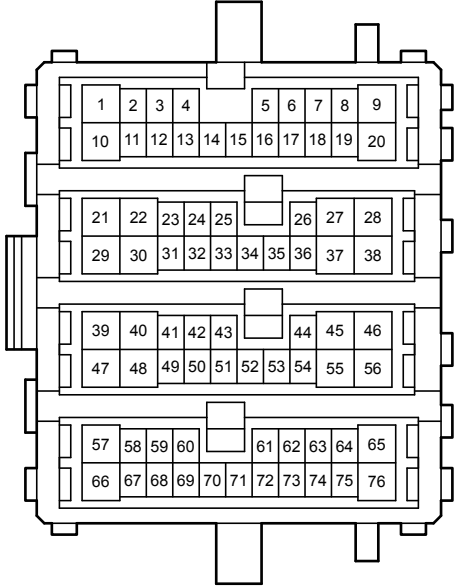
AL11
White



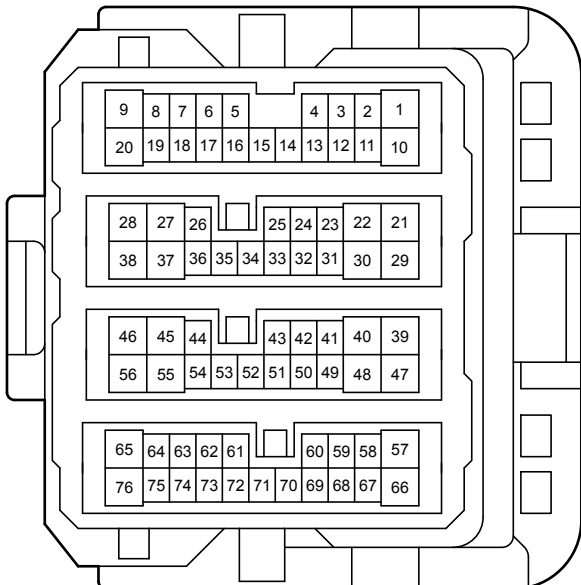
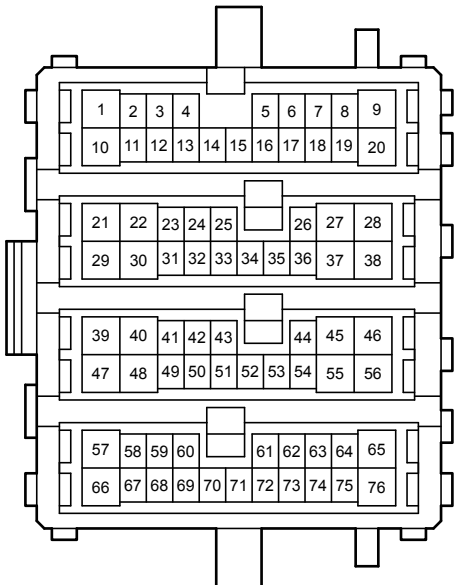
CA1
Black



LR1
White

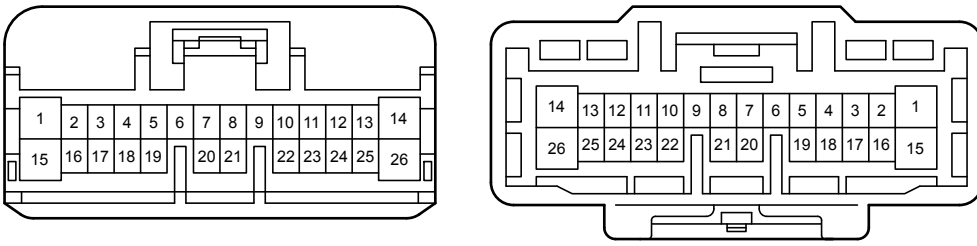


LS1
White



Turn Signal and Hazard Warning Light

NL1
White



OL1
White

